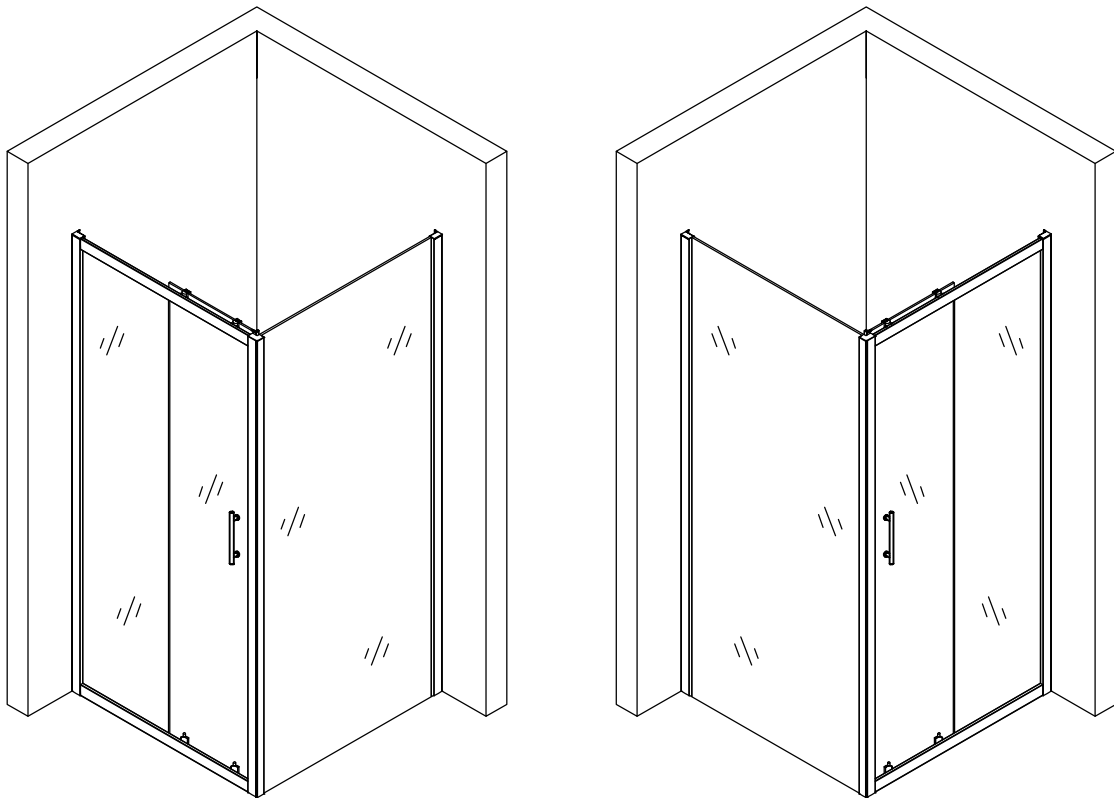
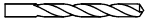
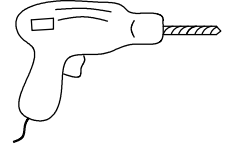
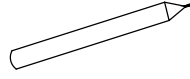
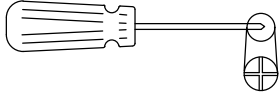
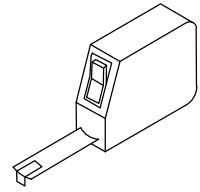
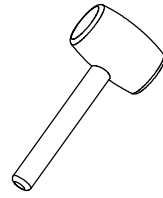
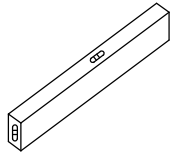
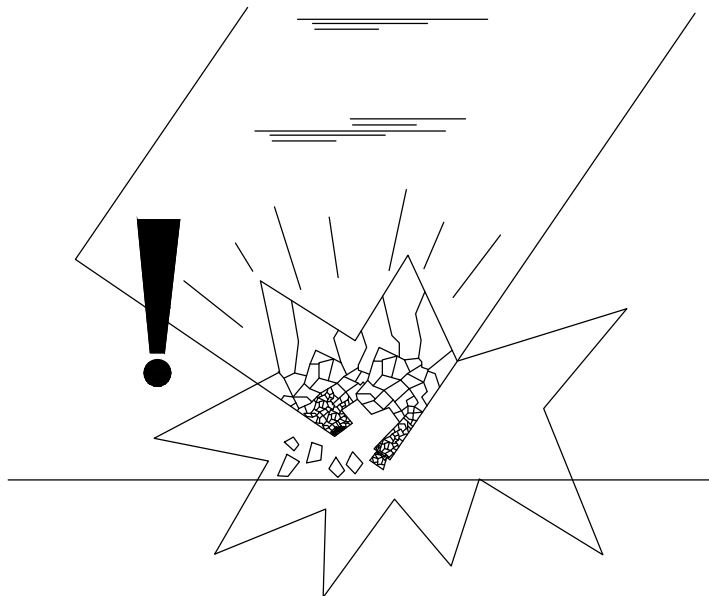
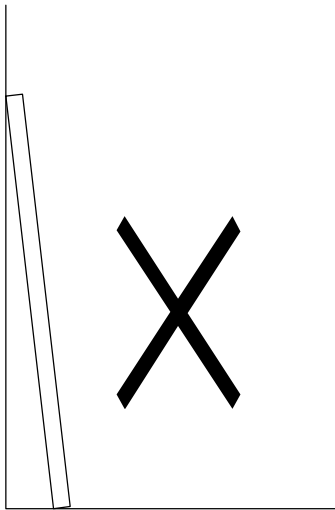
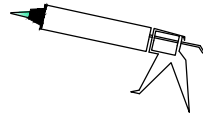



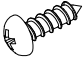


Model NO. 4000711
4000712

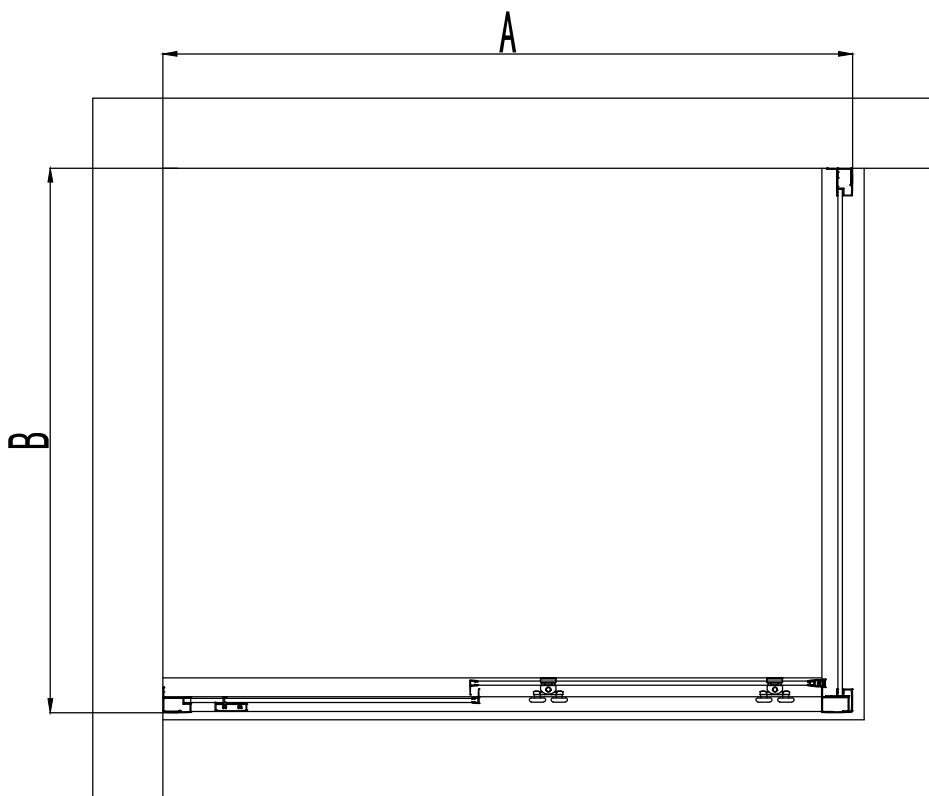




Ø6 Ø2.8



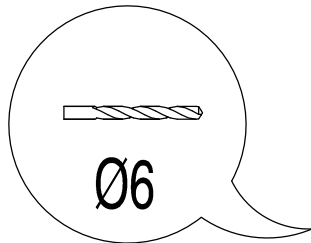
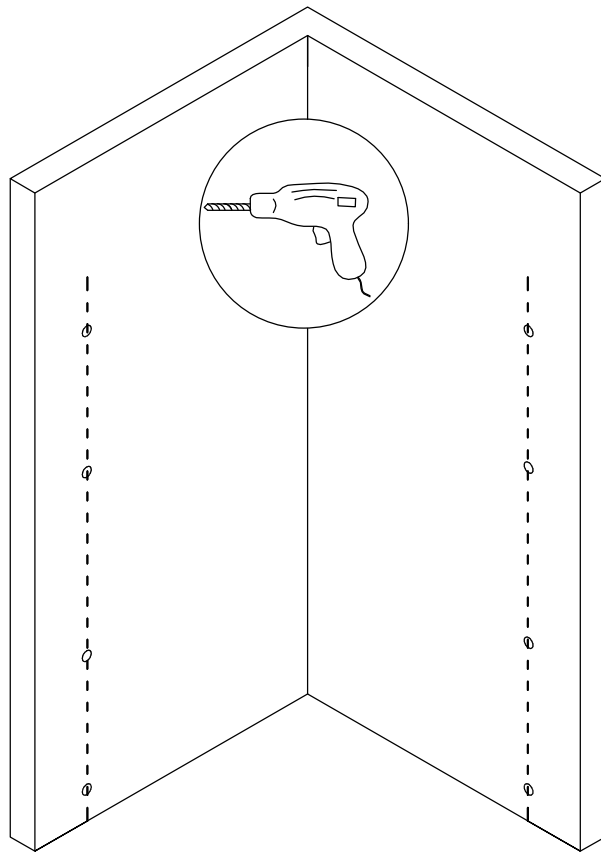
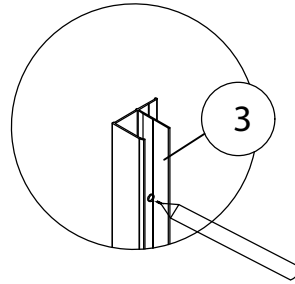
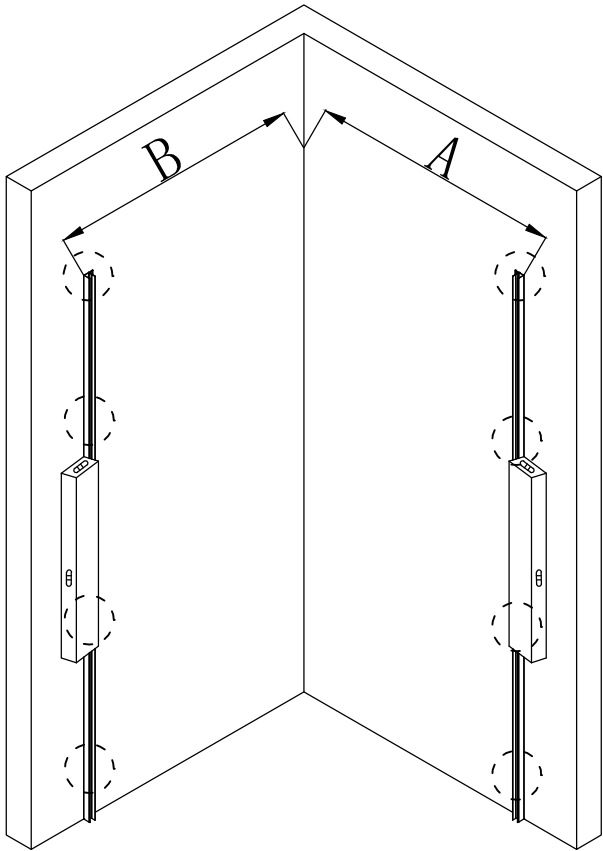
serial number	graphical	Parameter	quantity	remarks
1			1 PCS	V208
2		ST3. 5X9. 5	3 PCS	ND01-3848
3			3 PCS	
4			2 PCS	

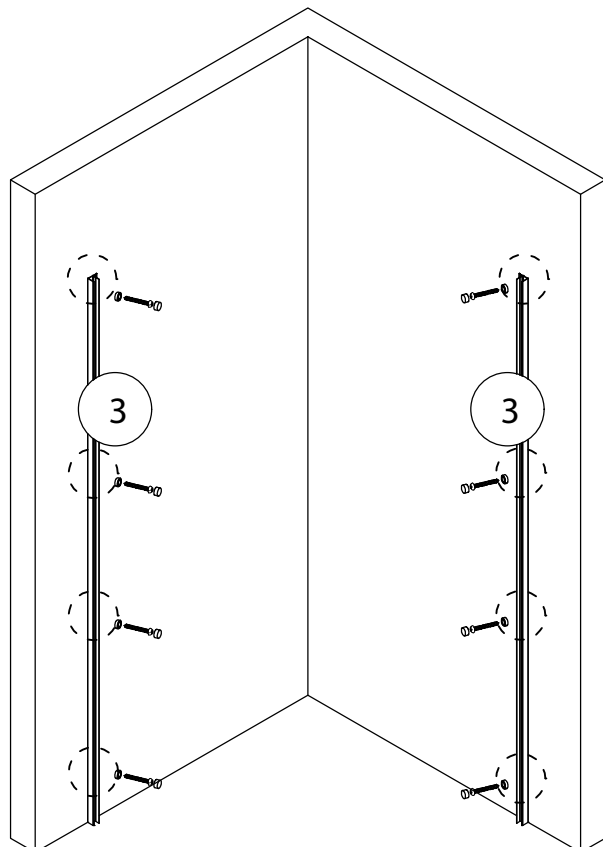
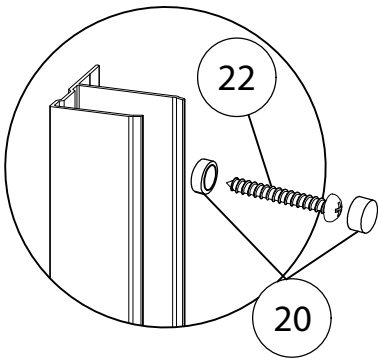
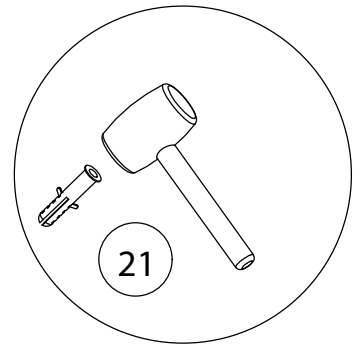
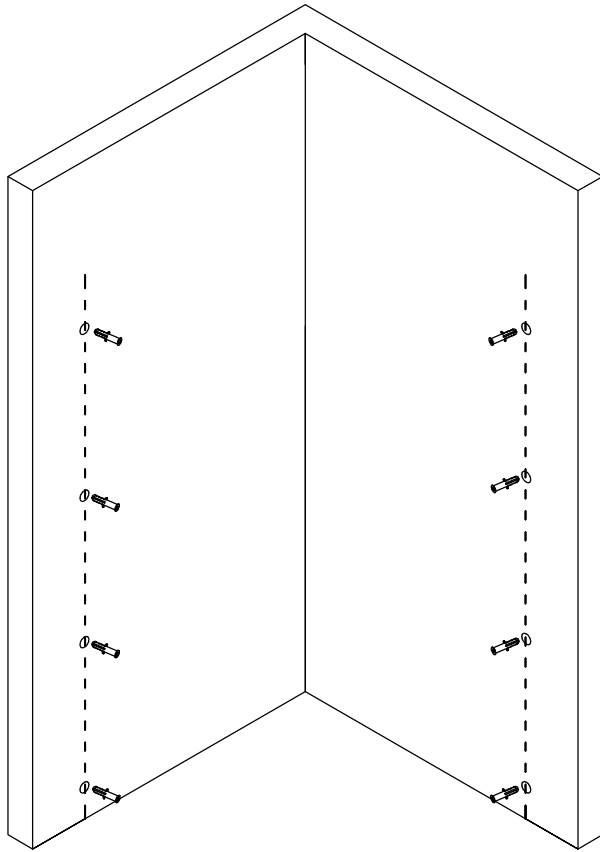


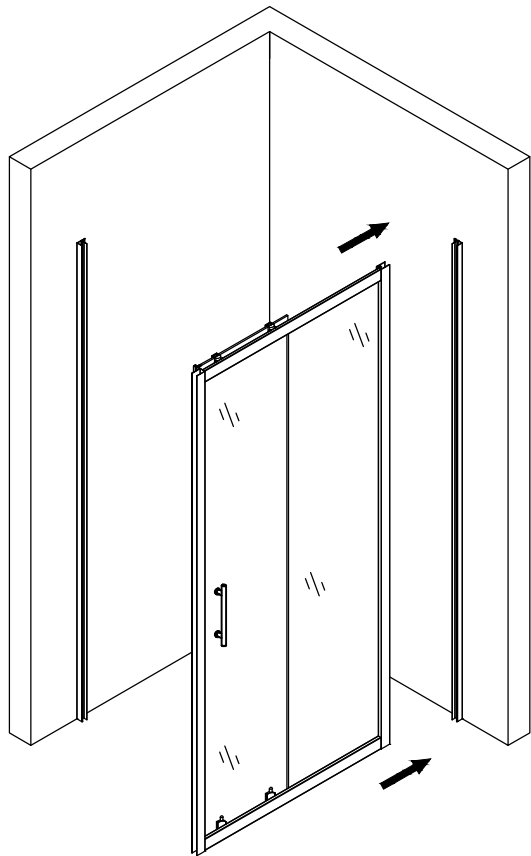
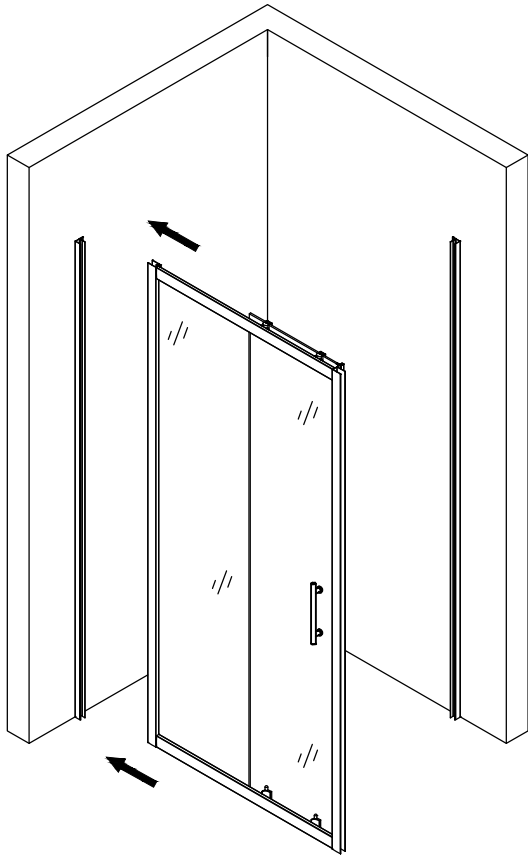
OBD2	A (mm)
1000	985-1000
1200	1185-1200
1400	1385-1400

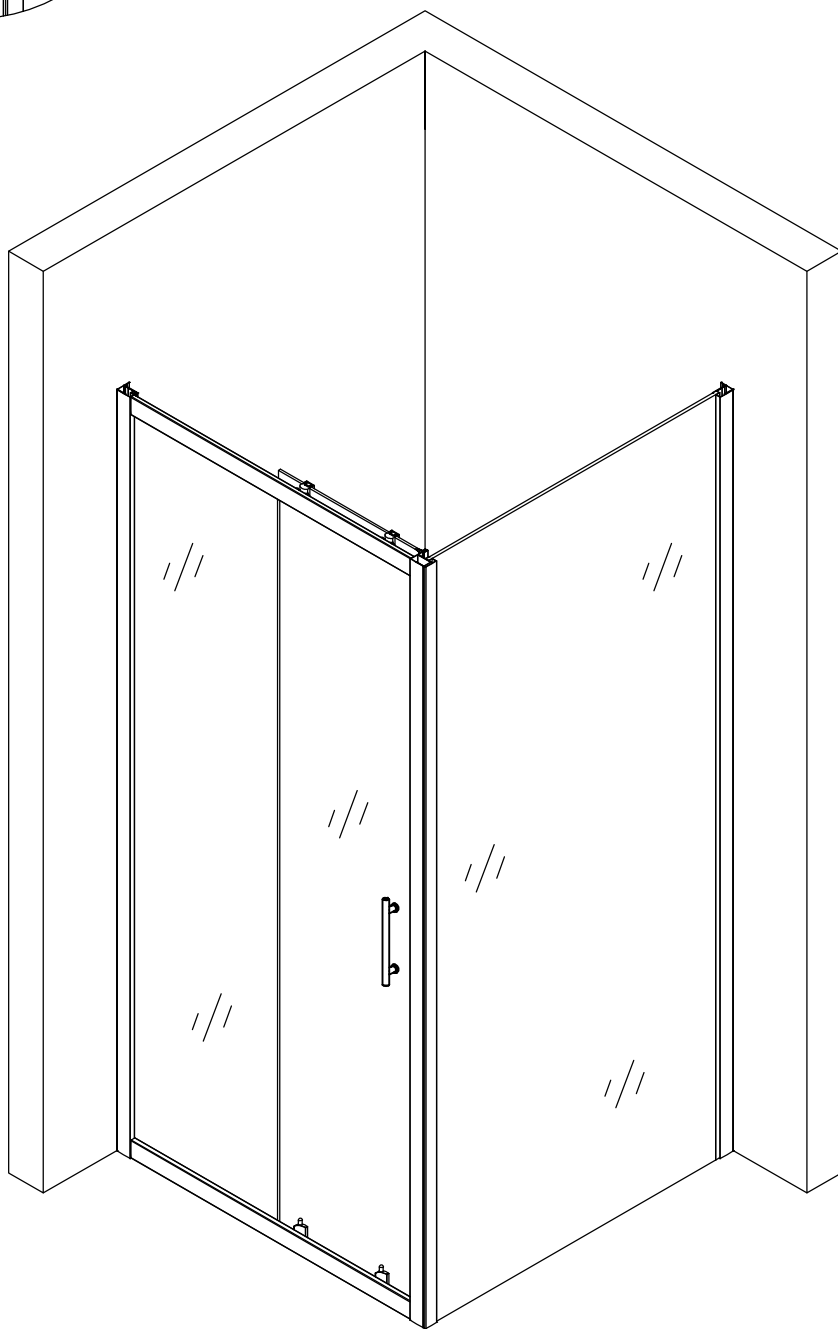
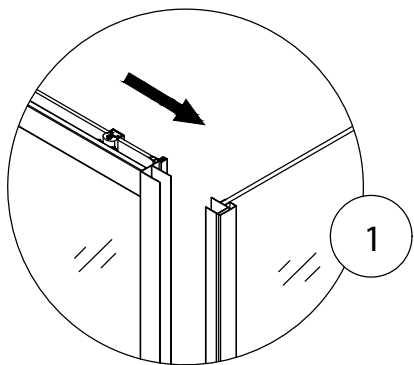
OBB	B (mm)
800	785-800
900	885-900

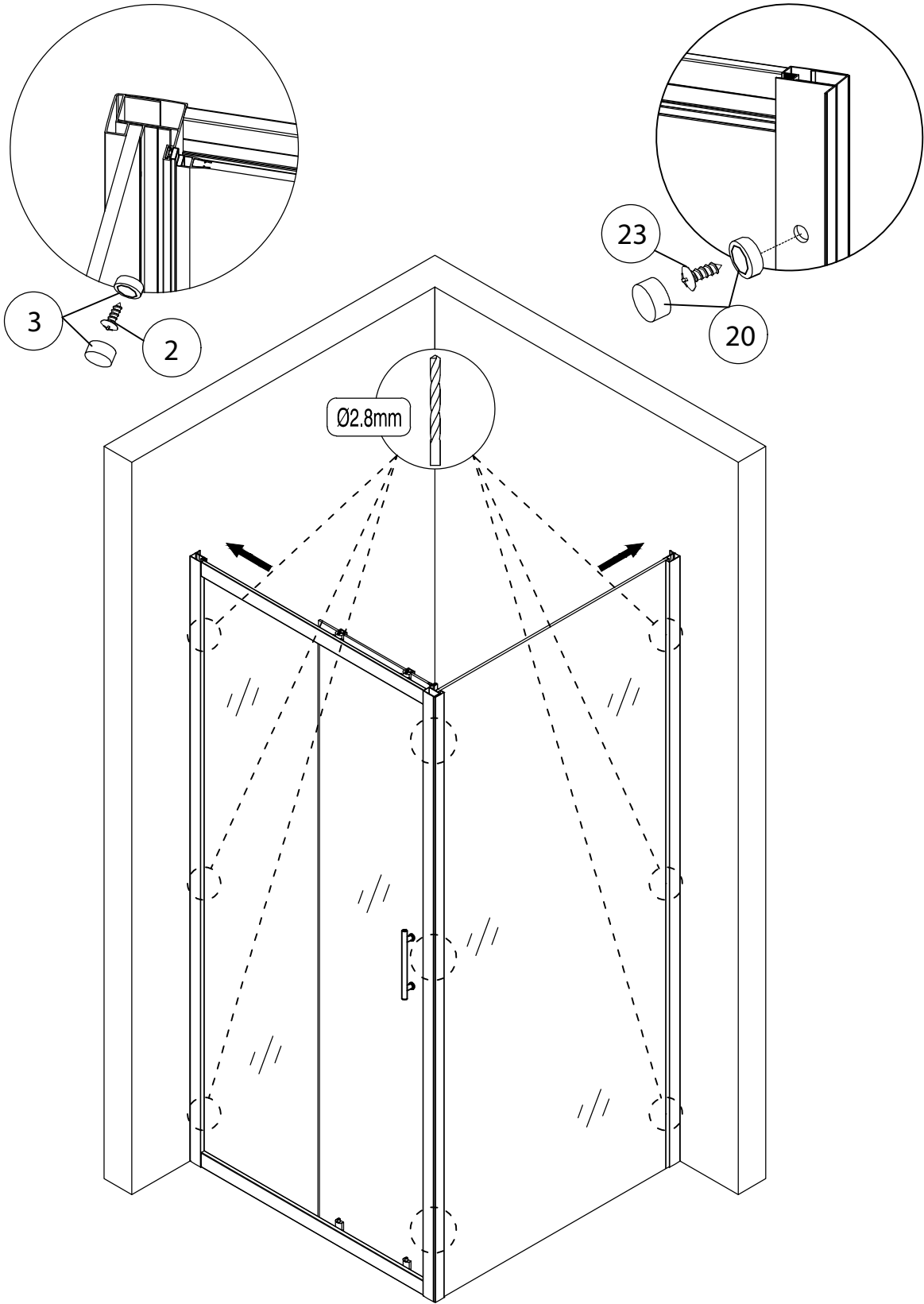
OBD2	
800	785-800
900	885-900
1000	985-1000

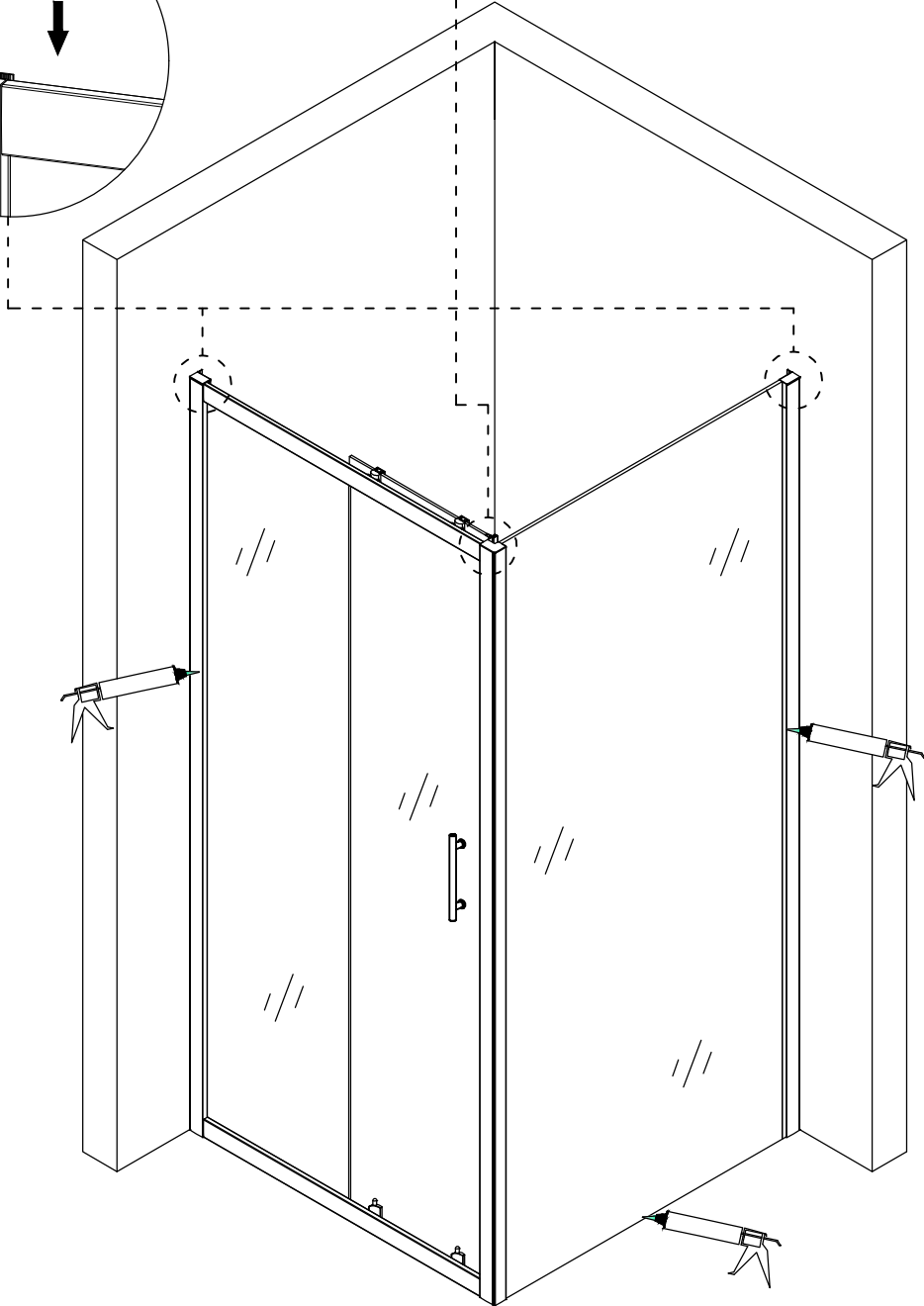
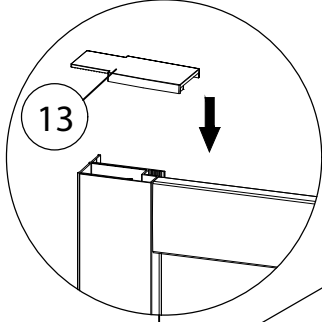
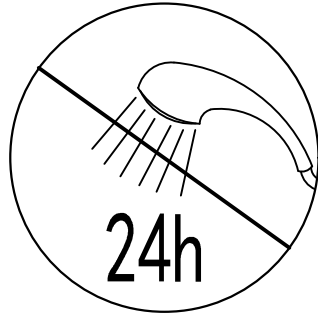
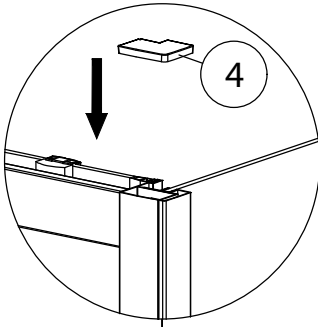
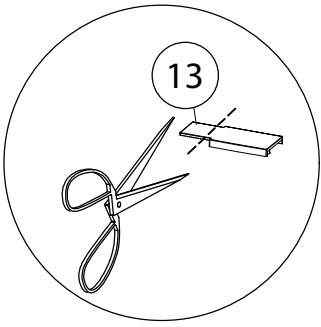


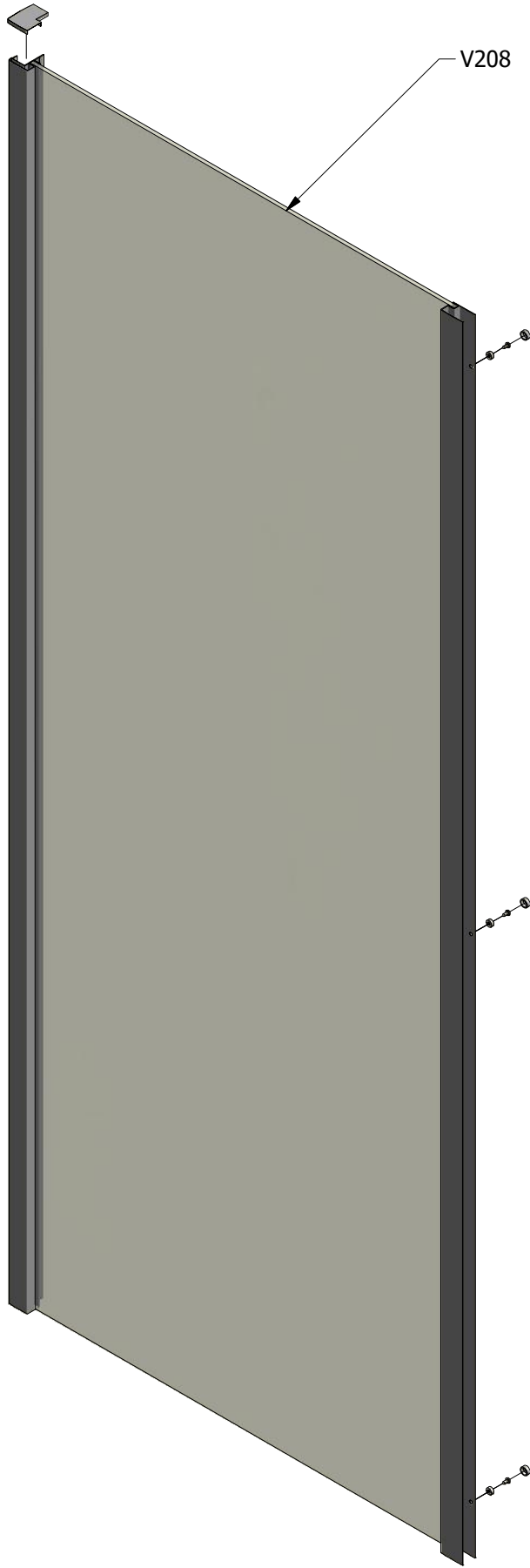












V208	800	brillant/transparent	ND03-0823-00-02
	900		ND03-0824-00-02