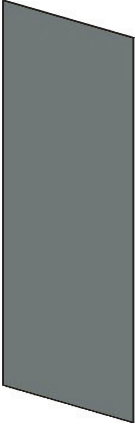

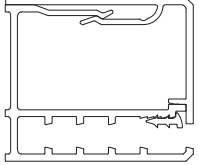
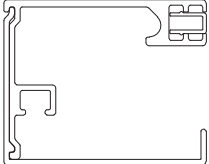
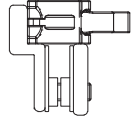
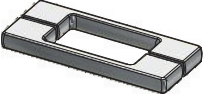
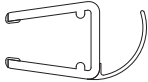
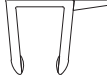





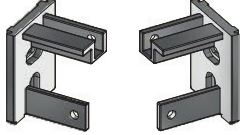

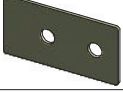







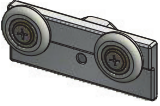
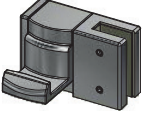




MI D2L/R VPE / NPE			
POS.	PREVIEW	PCS	SPARE PART
1.		1	V327
2.		1	V328
3.		1	P7148 (VPE) P7149 (NPE)
4.		1	P337
5.		1	P7147
6.	SEALS	1	P7146 (VPE) P7172 (NPE)
7.		1	MB3188(VPE) MB3187 (NPE)
8.	ACCESSORIES	1	S50

6. SEALS			
POS.	PREVIEW	PCS	SPARE PART
6.1		1	MB3310
6.2		2	MB3312
6.3		1	P6121
6.4		1	P6133 (VPE) P6809 (NPE)

8. S50			
POS.	PREVIEW		
8.1	3x		
8.2	3x		
8.3	3x ST3,5		
8.4	Left + right		
8.5	4x		
8.6	2x		
8.7	8x		
8.8	4x ST 4,8		
8.9	2x		
8.10	6x		
8.11	6x		
8.12	1x		
8.13	1x		
8.14	2x		
8.15	1x (left or right variant)		
8.16	1x		
8.17	2x		

1. V327			2. V328		
SIZE	GLASS	SPARE PART	SIZE	GLASS	SPARE PART
1000	clear glass	ND03-1008-02	1000	clear glass	ND02-0990-02
1100	clear glass	ND03-1009-02	1100	clear glass	ND02-0991-02
1200	clear glass	ND03-1010-02	1200	clear glass	ND02-0992-02
1300	clear glass	ND03-1011-02	1300	clear glass	ND02-0993-02
1400	clear glass	ND03-1012-02	1400	clear glass	ND02-0994-02
1500	clear glass	ND03-1013-02	1500	clear glass	ND02-0995-02
1600	clear glass	ND03-1014-02	1600	clear glass	ND02-0996-02
1700	clear glass	ND03-1015-02	1700	clear glass	ND02-0997-02
1800	clear glass	ND03-1016-02	1800	clear glass	ND02-0998-02

4. P337			9. S50		
SIZE	black	brillant	VARIANT	black	brillant
1000	P7163	P7137	D2R/1000	P7307	P7305
1100	P7164	P7138	D2L/1000	P7306	P7304
1200	P7165	P7139	D2R	P7176	P7174
1300	P7166	P7140	D2L	P7175	P7173
1400	P7167	P7141			
1500	P7168	P7142			
1600	P7169	P7143			
1700	P7170	P7144			
1800	P7171	P7145			

MI D2L / MI D2R

