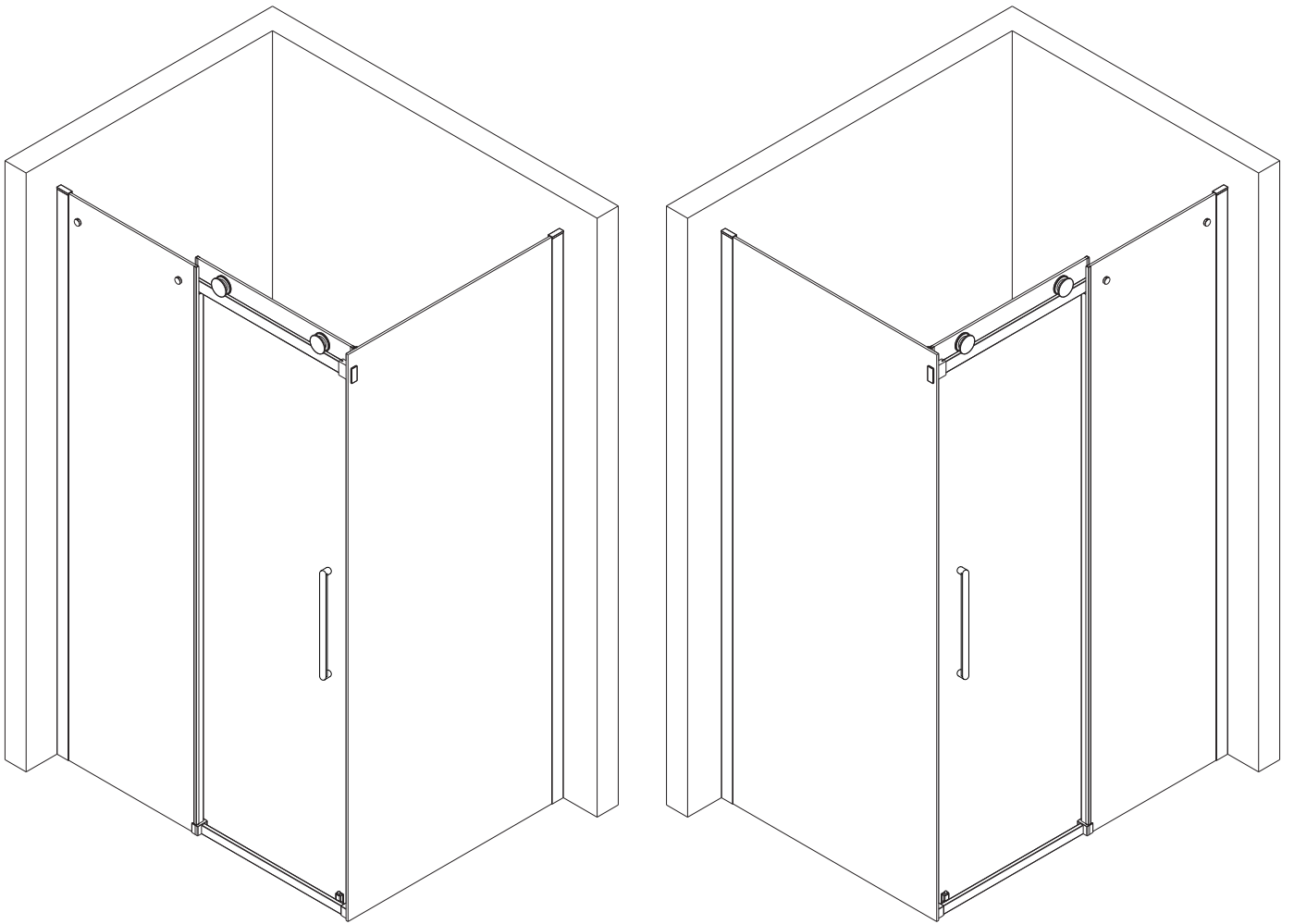
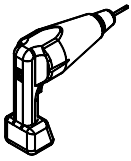


**Model NO. 4000715**  
**4000716**  
**4000802**  
**4000803**



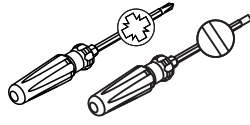
## Tools that may be required:



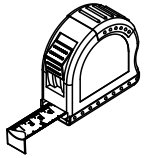
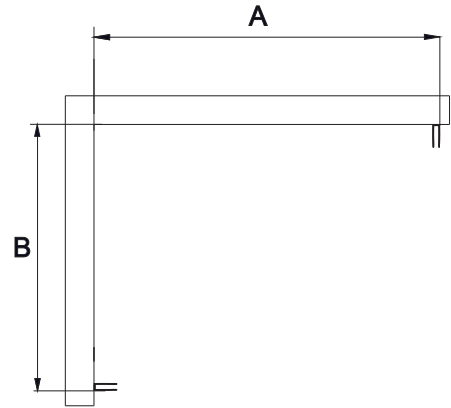
Drill



Drill Bit



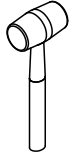
Screw Driver



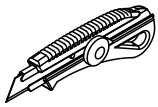
Tape Measure



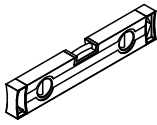
Pencil



Mallet



Craft Knife



Level

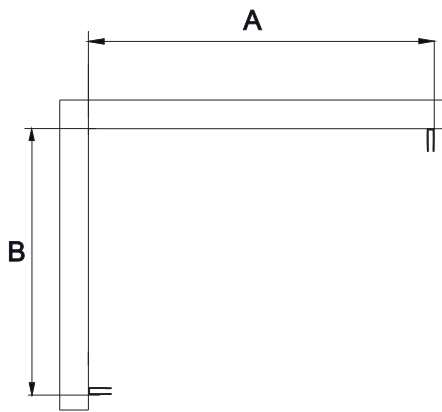
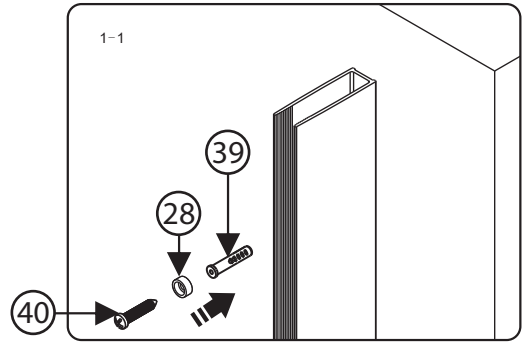
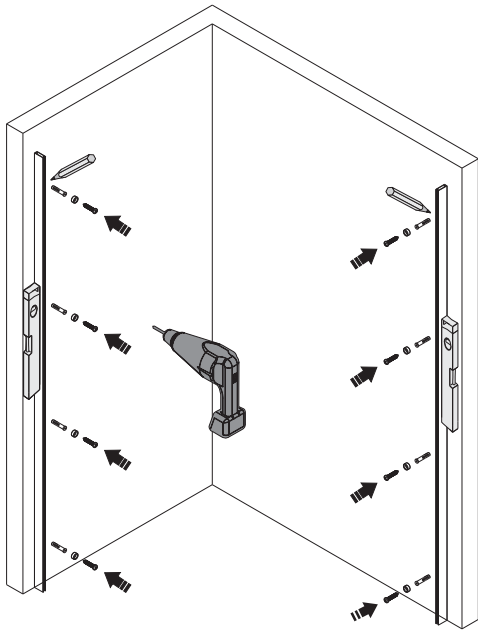


Silicon Gun

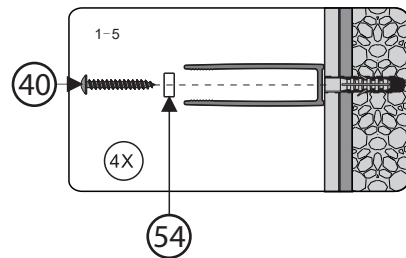
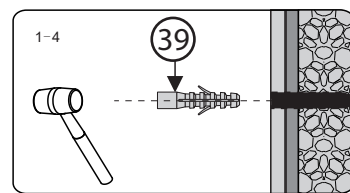
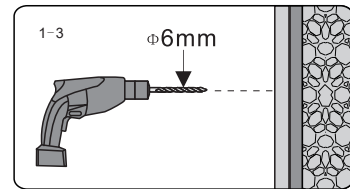
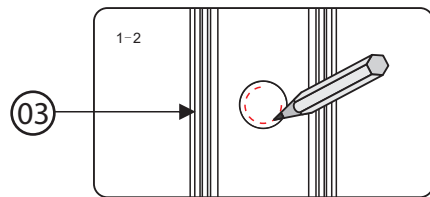
SIZE(mm)	A	B
1200x800	1190-1210	780-800
1200x900	1190-1210	880-900
1400x800	1390-1410	780-800
1400x900	1390-1410	880-900

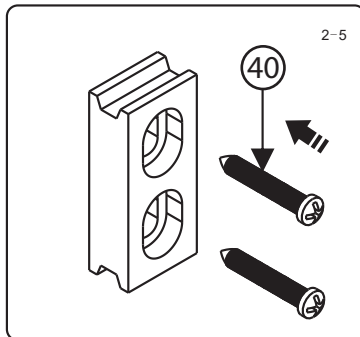
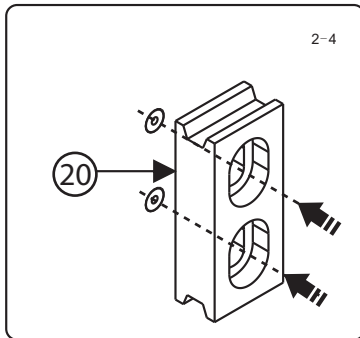
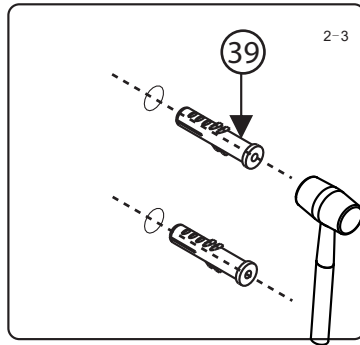
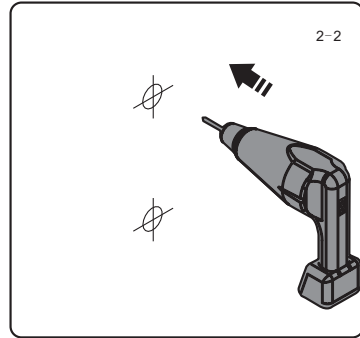
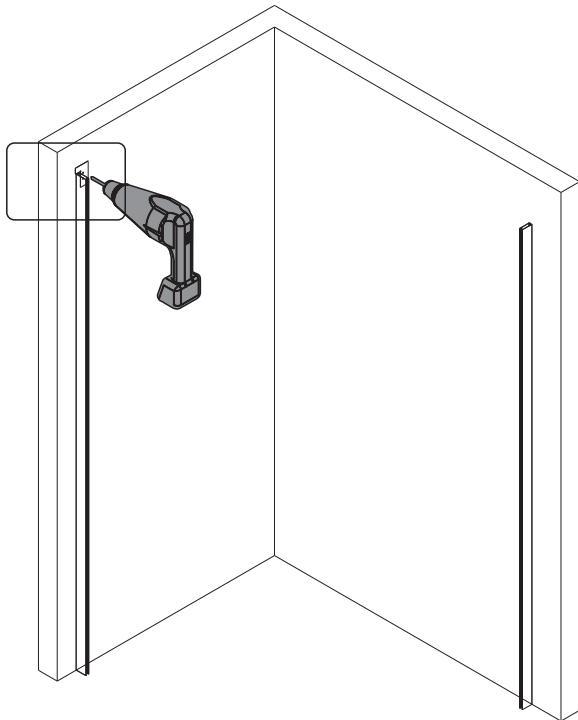
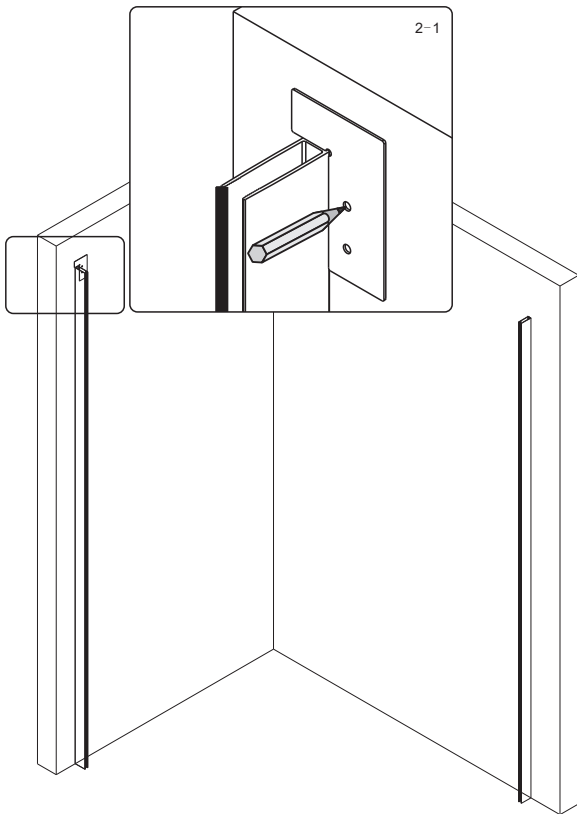
## Parts List

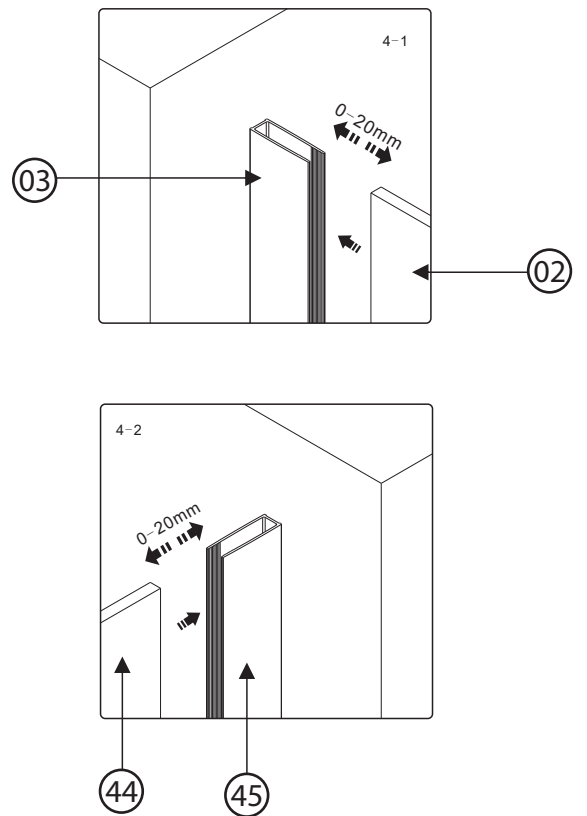
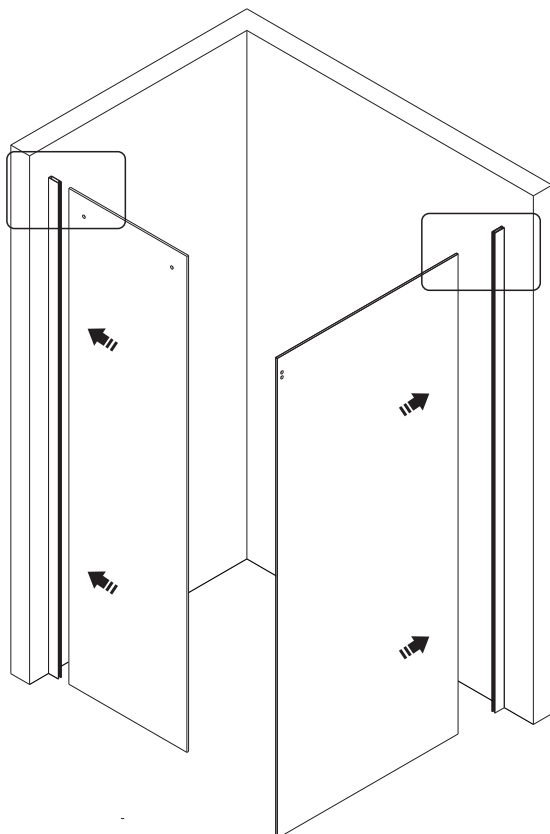
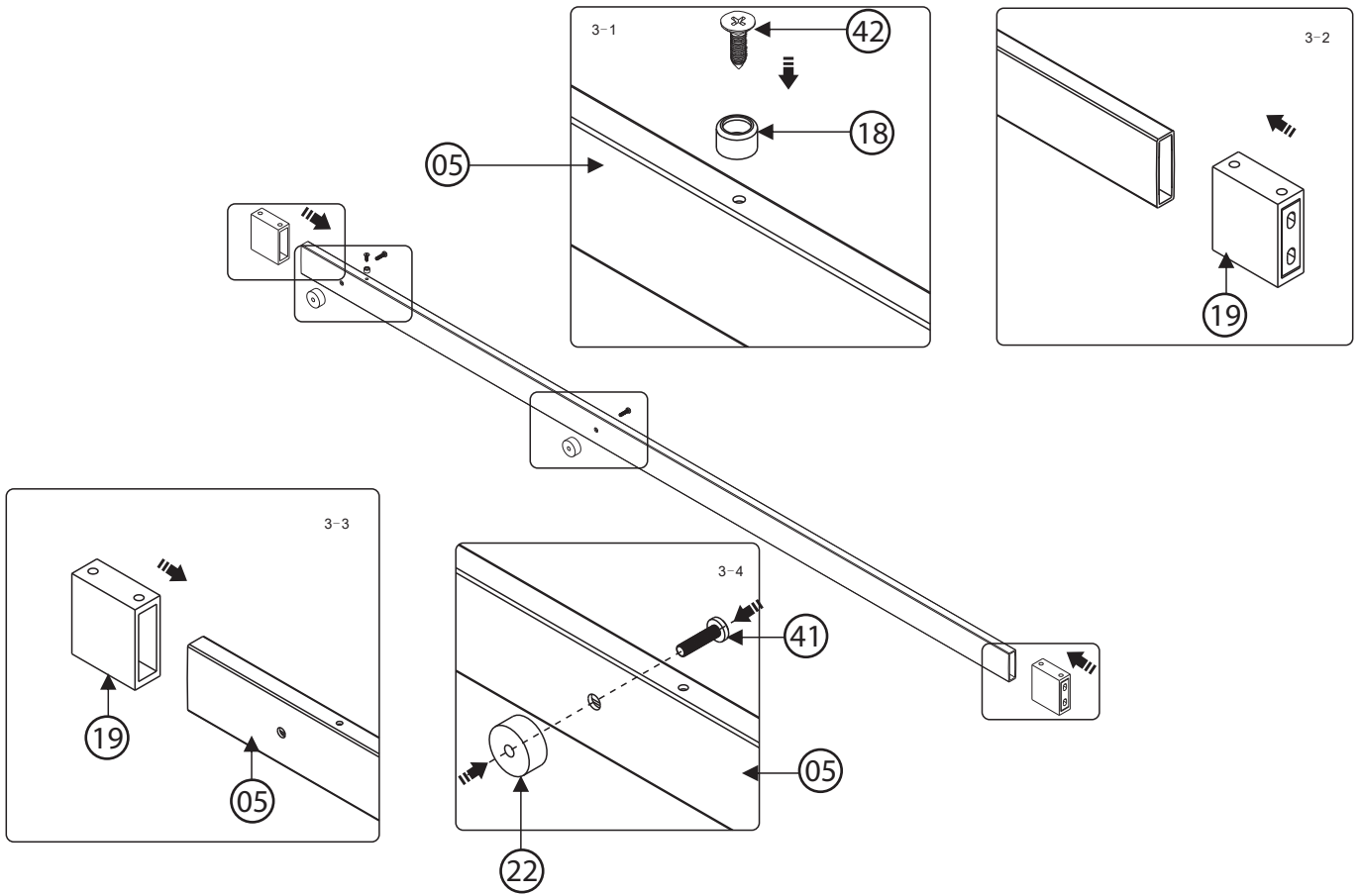
Part Number	Image	Size(mm)	Quantity	ID
44			1	V201
45			1	00-Brillant ND01-3498 05-Black ND01-3865
46			1	00-Brillant ND01-3426 05-Black ND01-3872
47			1	00-Brillant ND01-3852 05-Black ND01-3888
48			1	00-Brillant ND01-3853 05-Black ND01-3889
49			1	
50			1	
51			1	
52			2	
53		M5X14	2	
54			4	

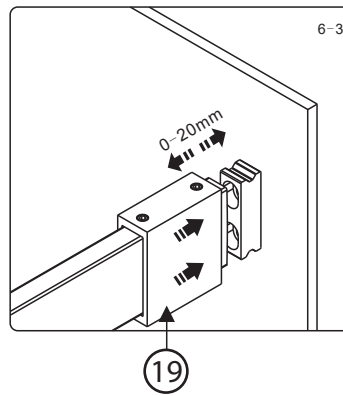
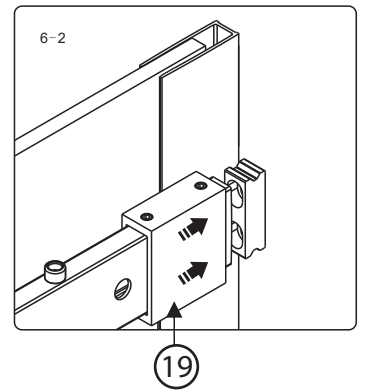
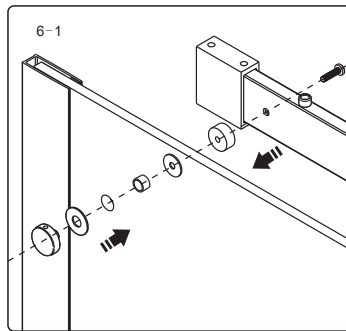
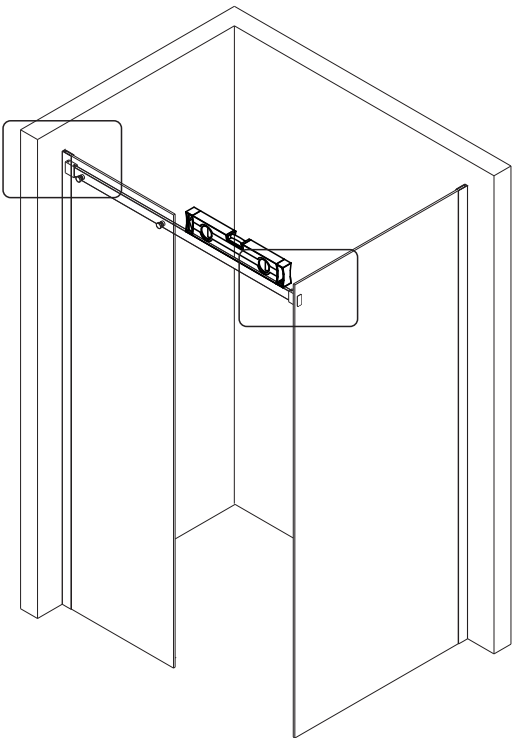
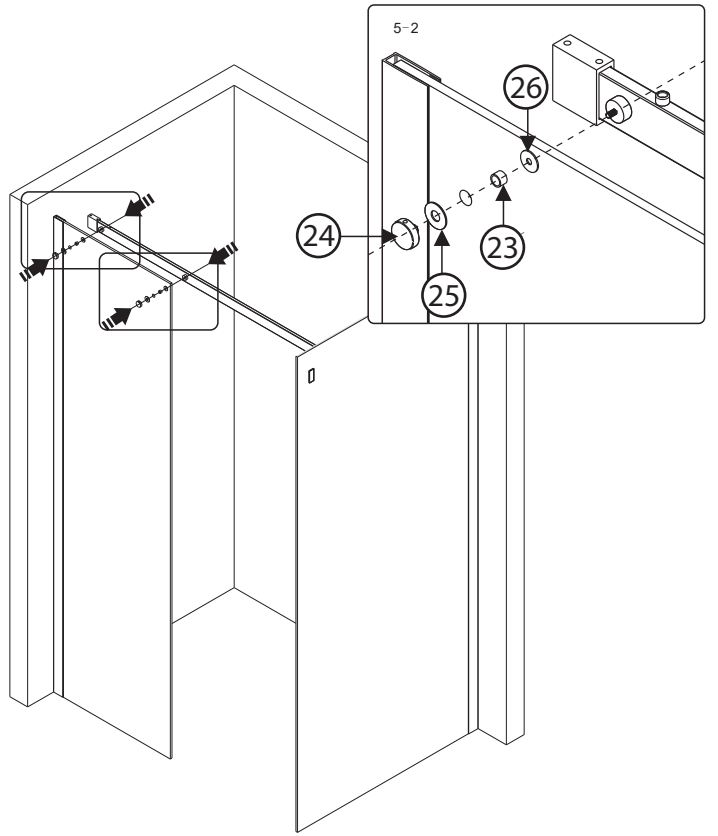
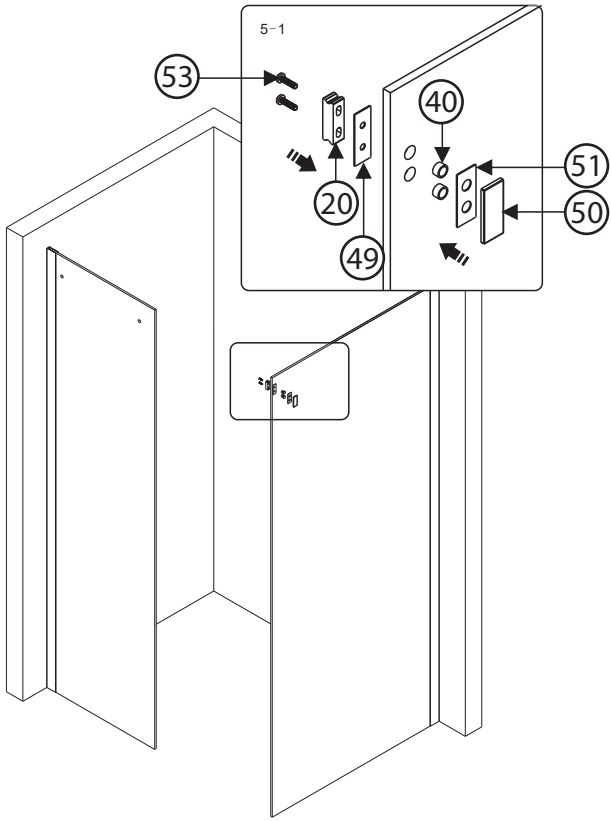


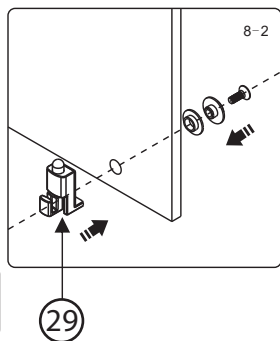
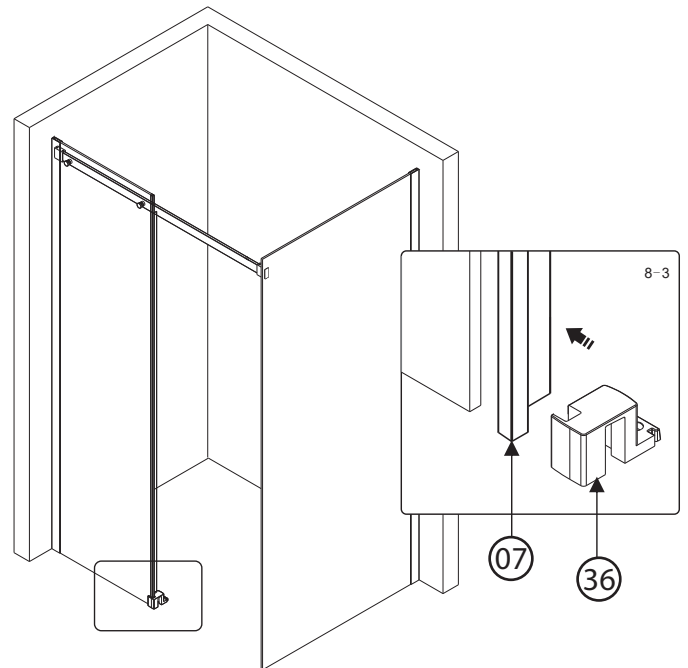
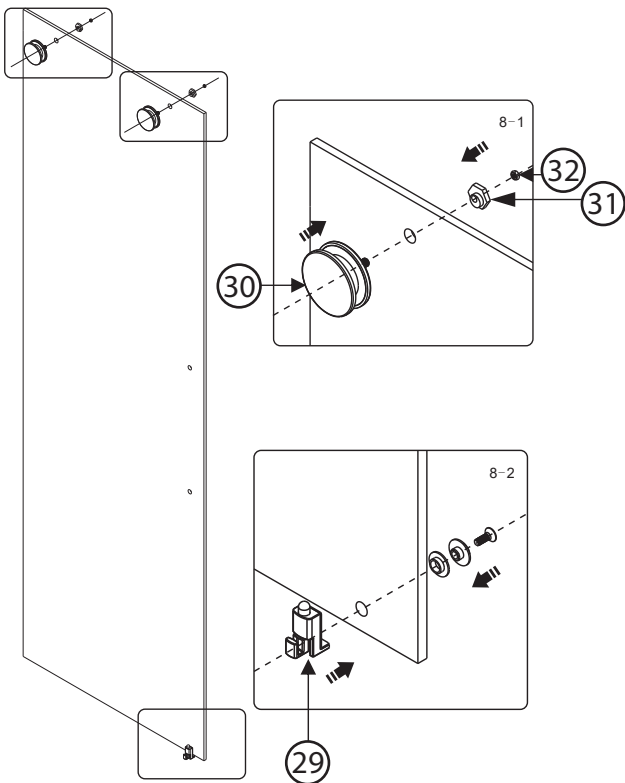
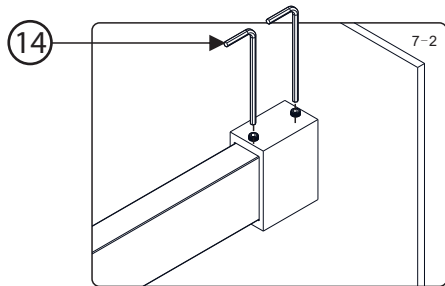
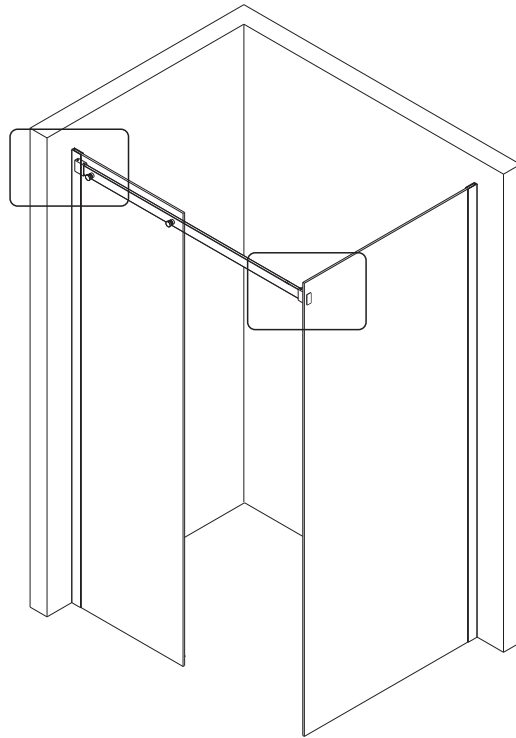
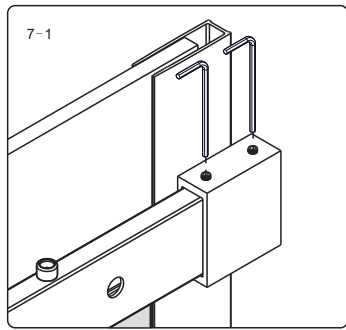
SIZE(mm)	A	B
1200x800	1190-1210	780-800
1200x900	1190-1210	880-900
1400x800	1390-1410	780-800
1400x900	1390-1410	880-900

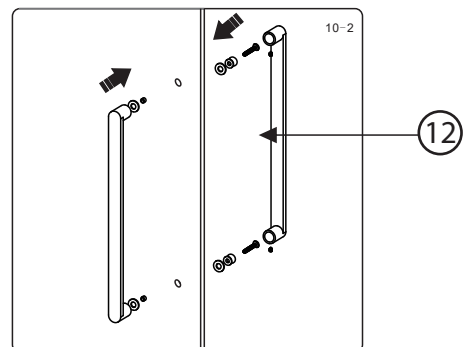
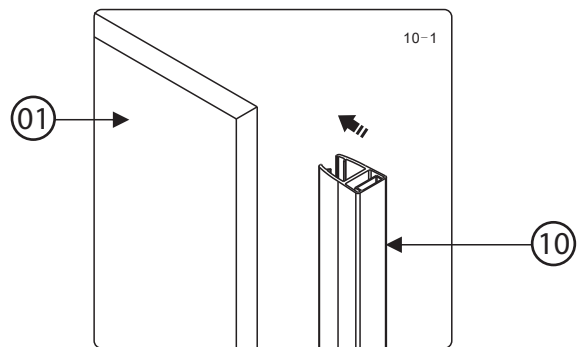
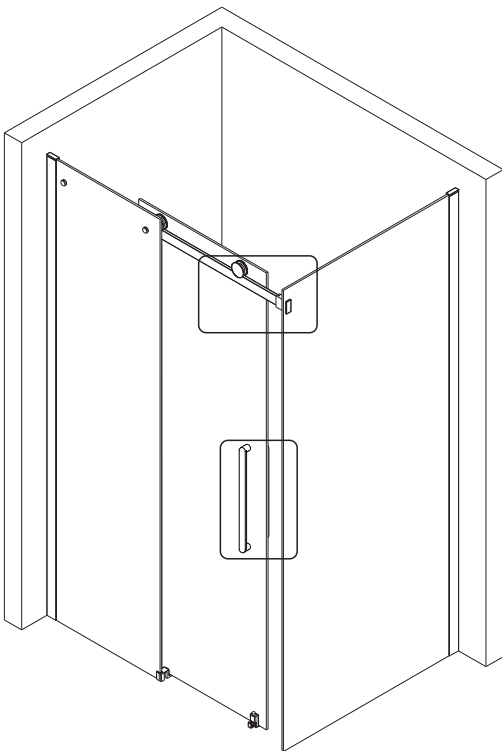
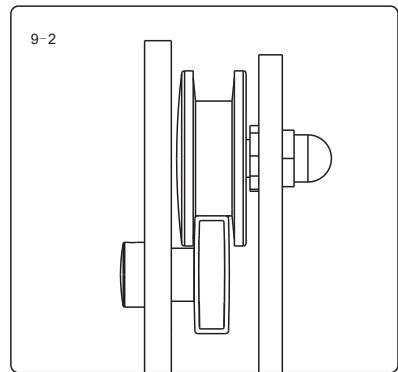
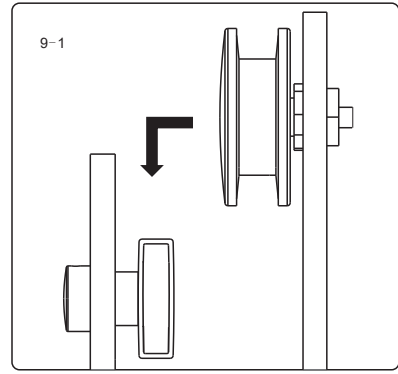
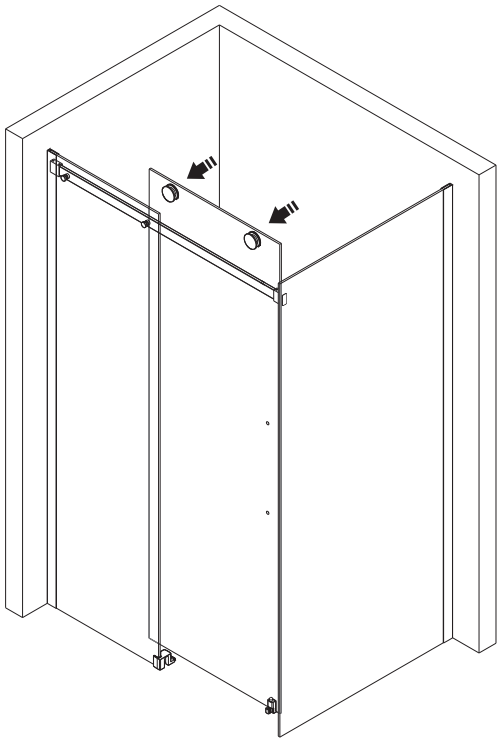




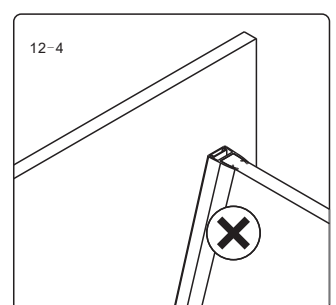
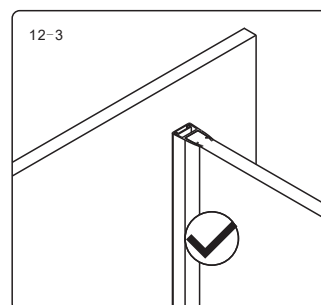
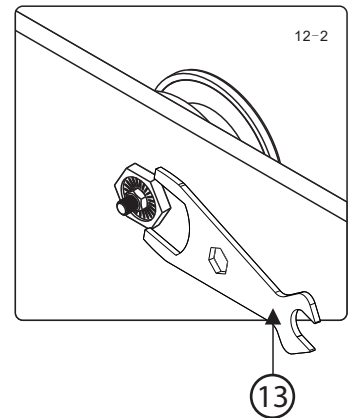
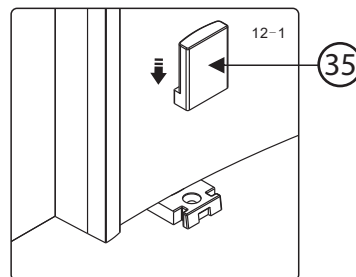
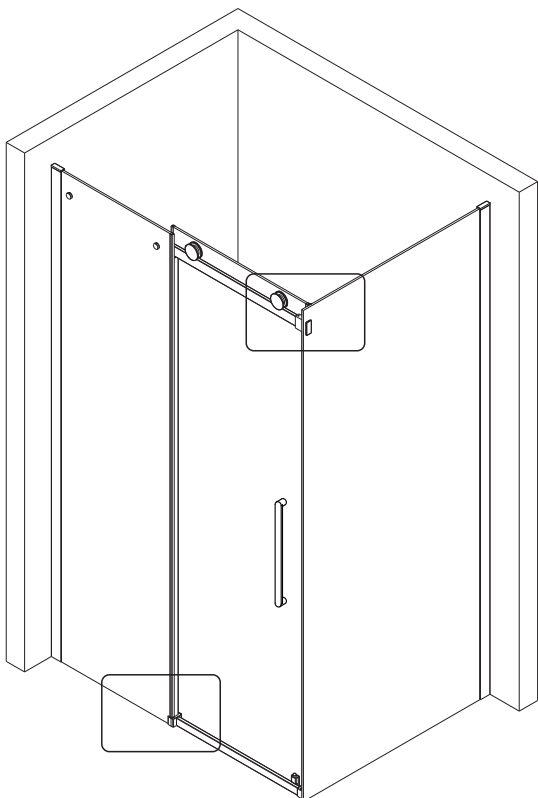
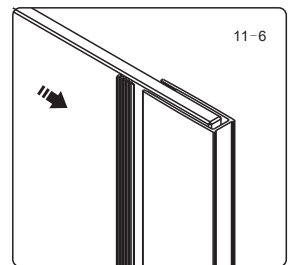
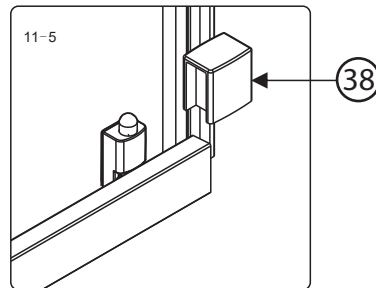
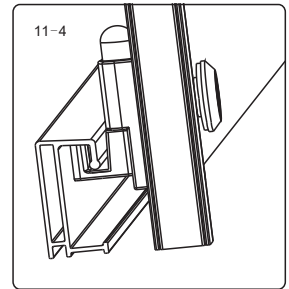
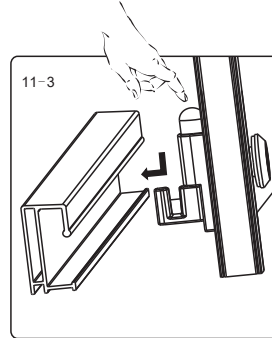
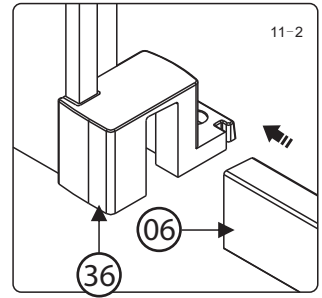
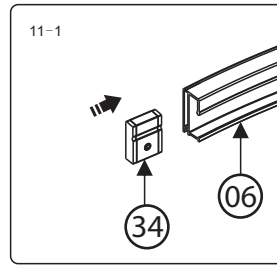
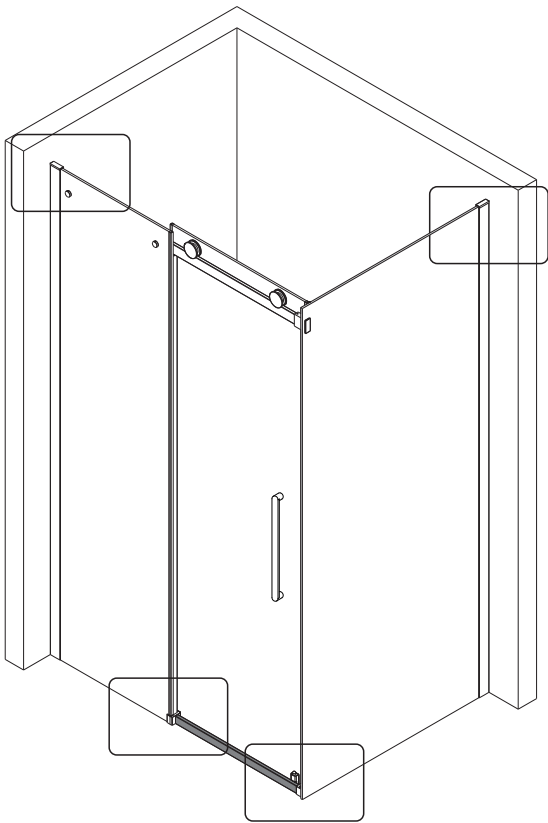


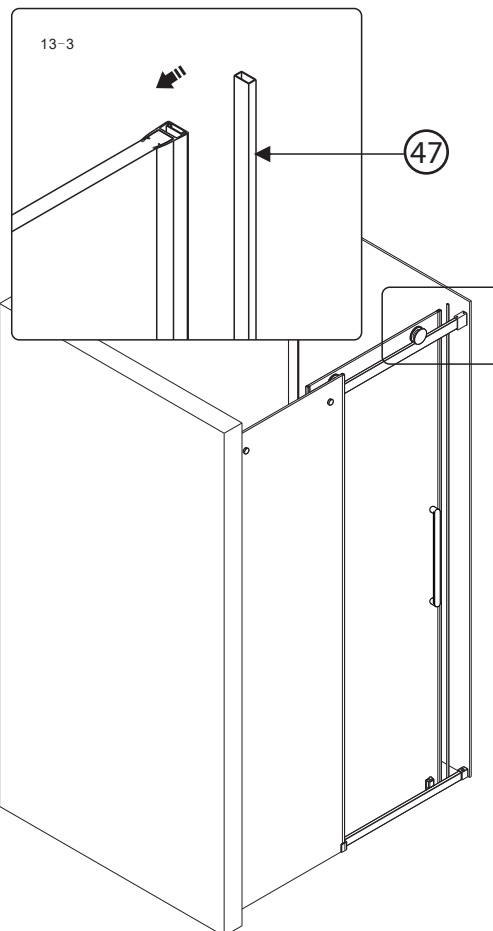
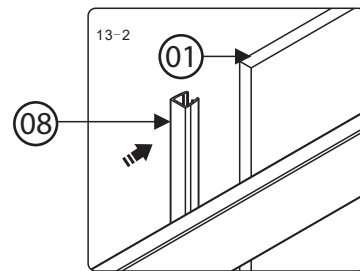
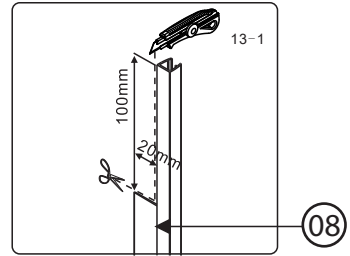
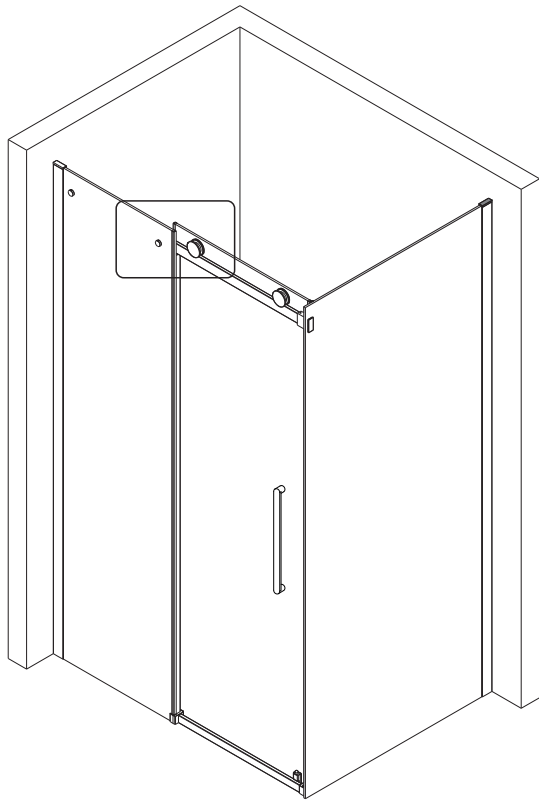


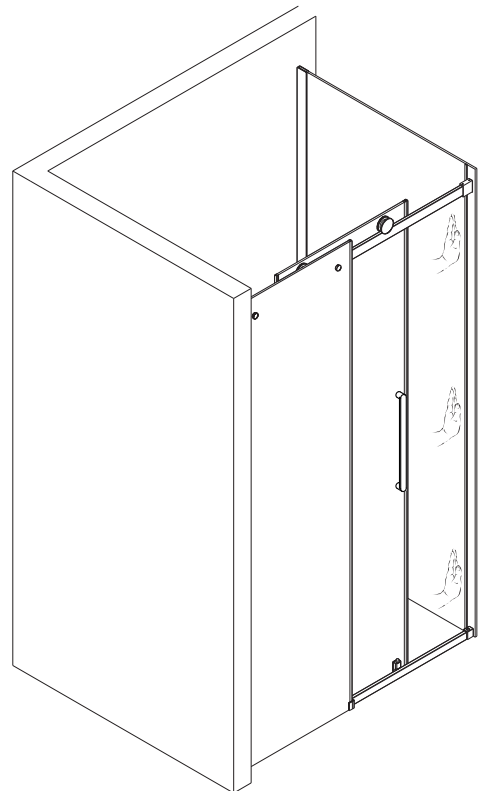
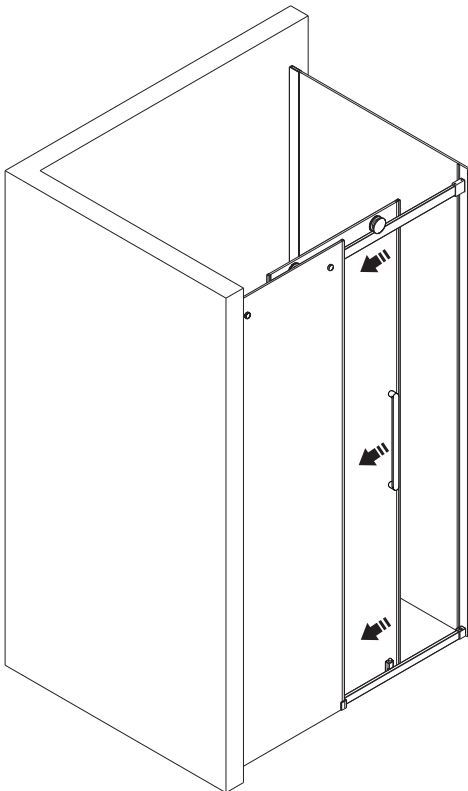
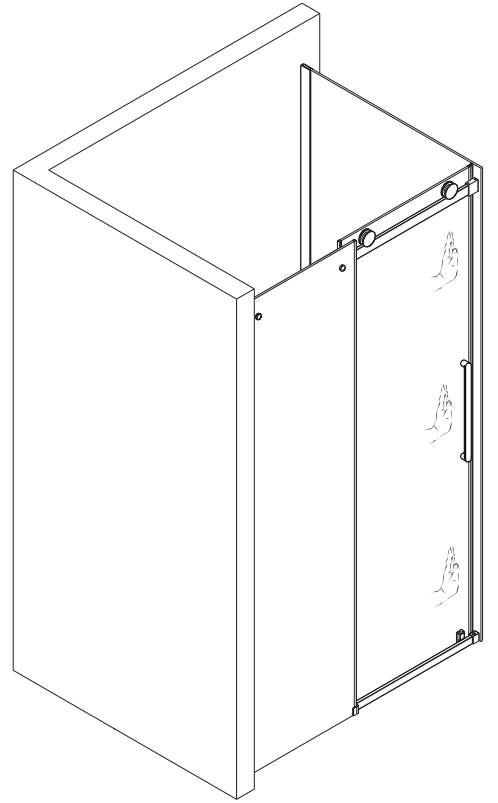
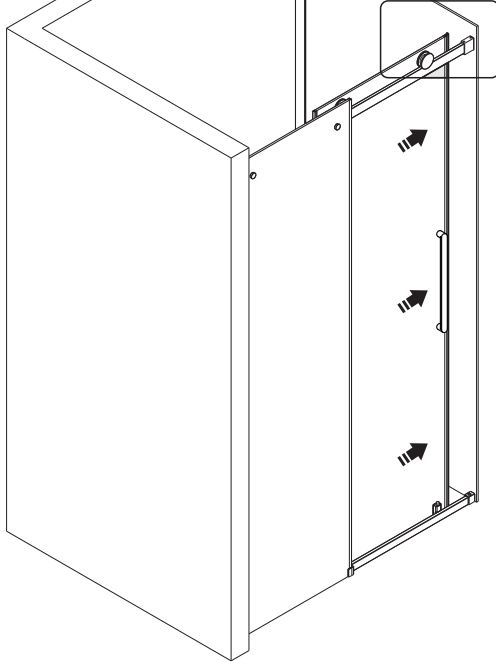
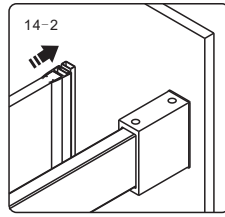
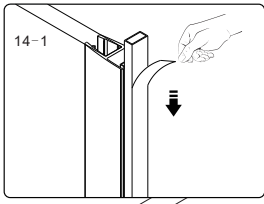


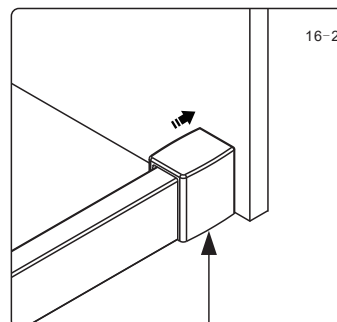
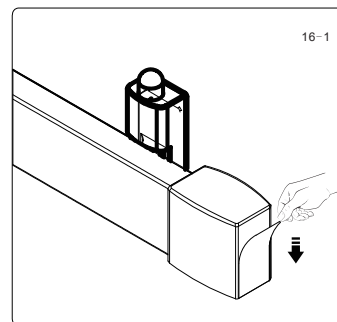
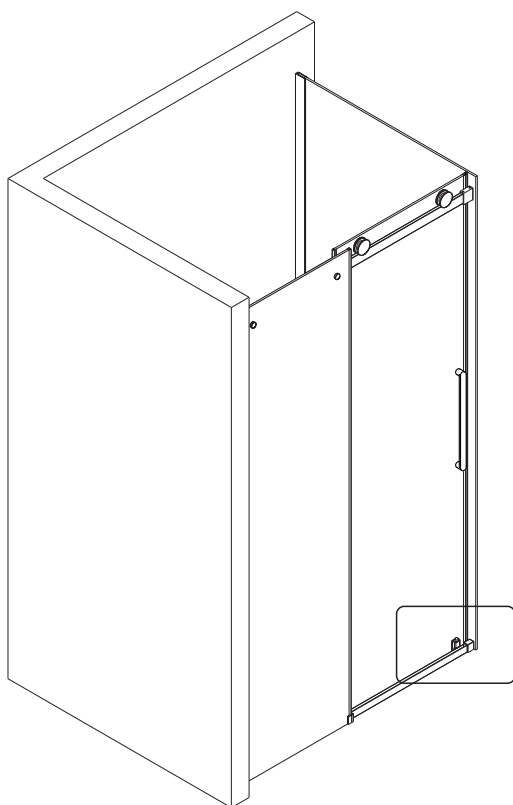
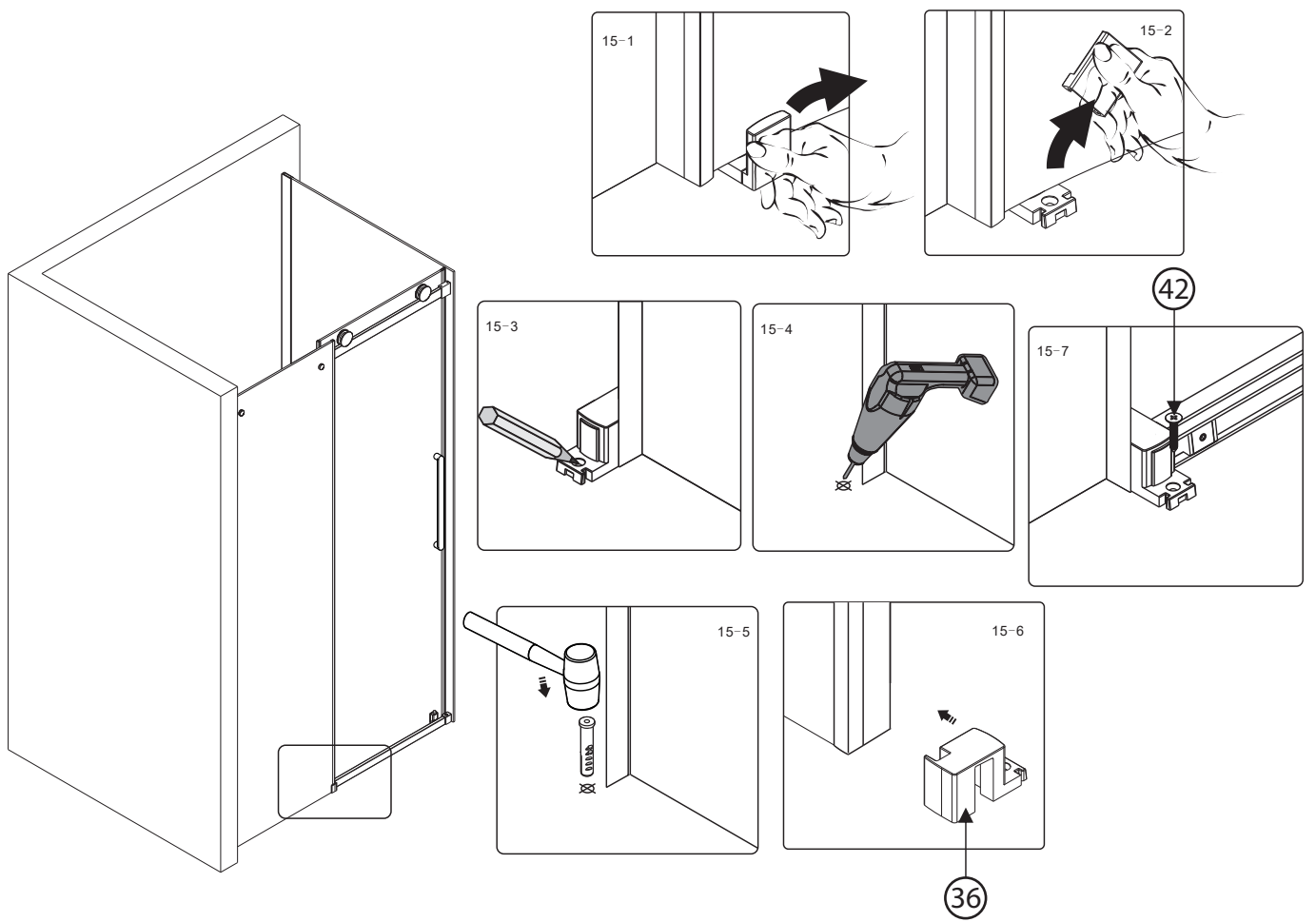




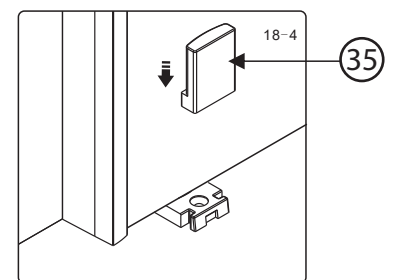
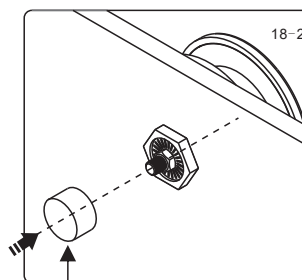
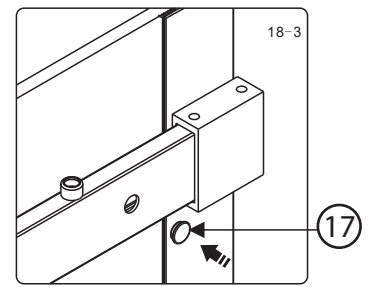
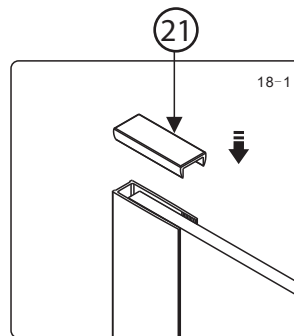
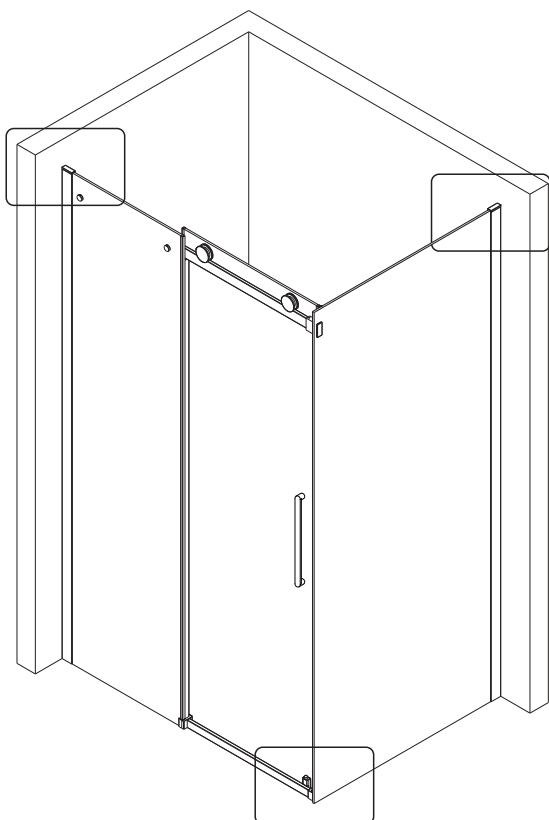
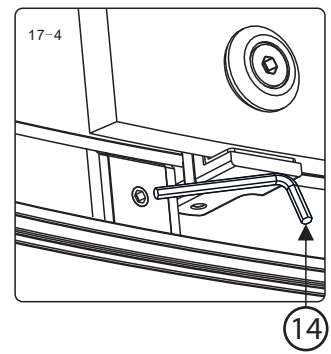
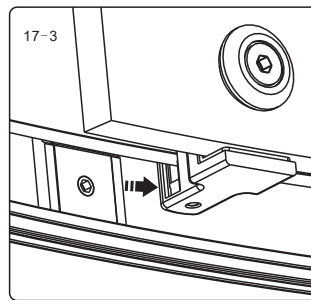
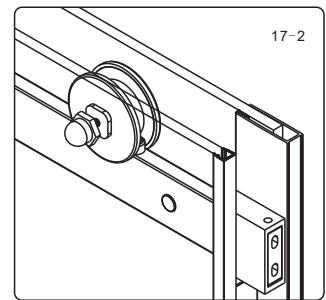
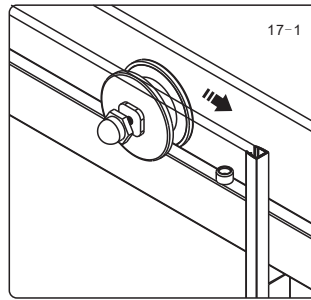
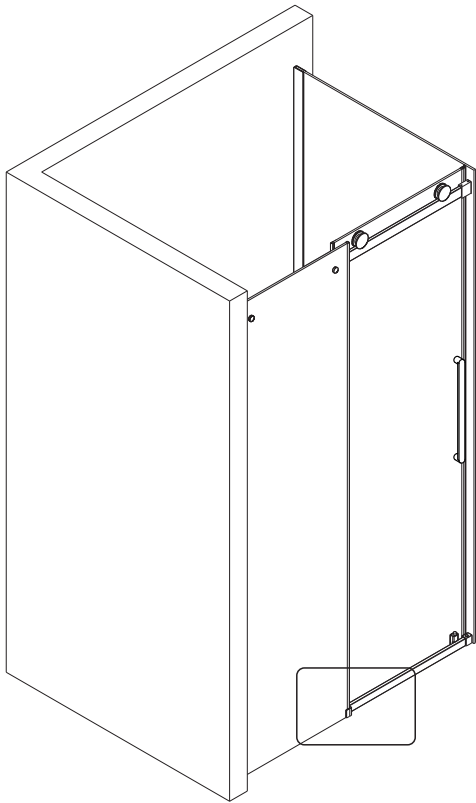




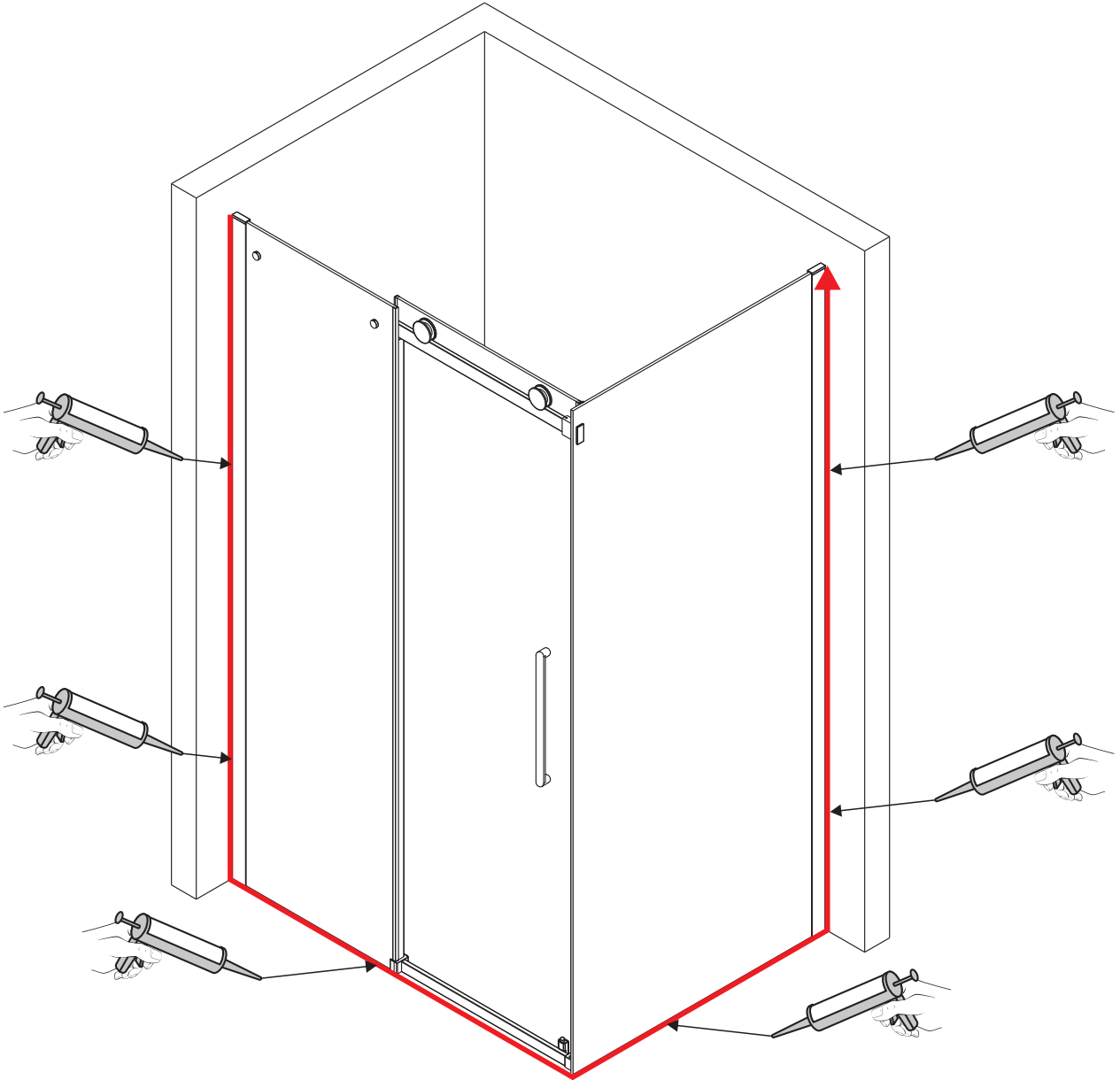
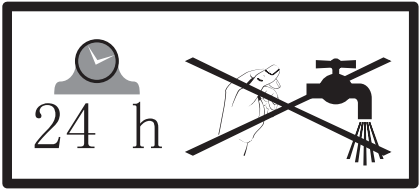


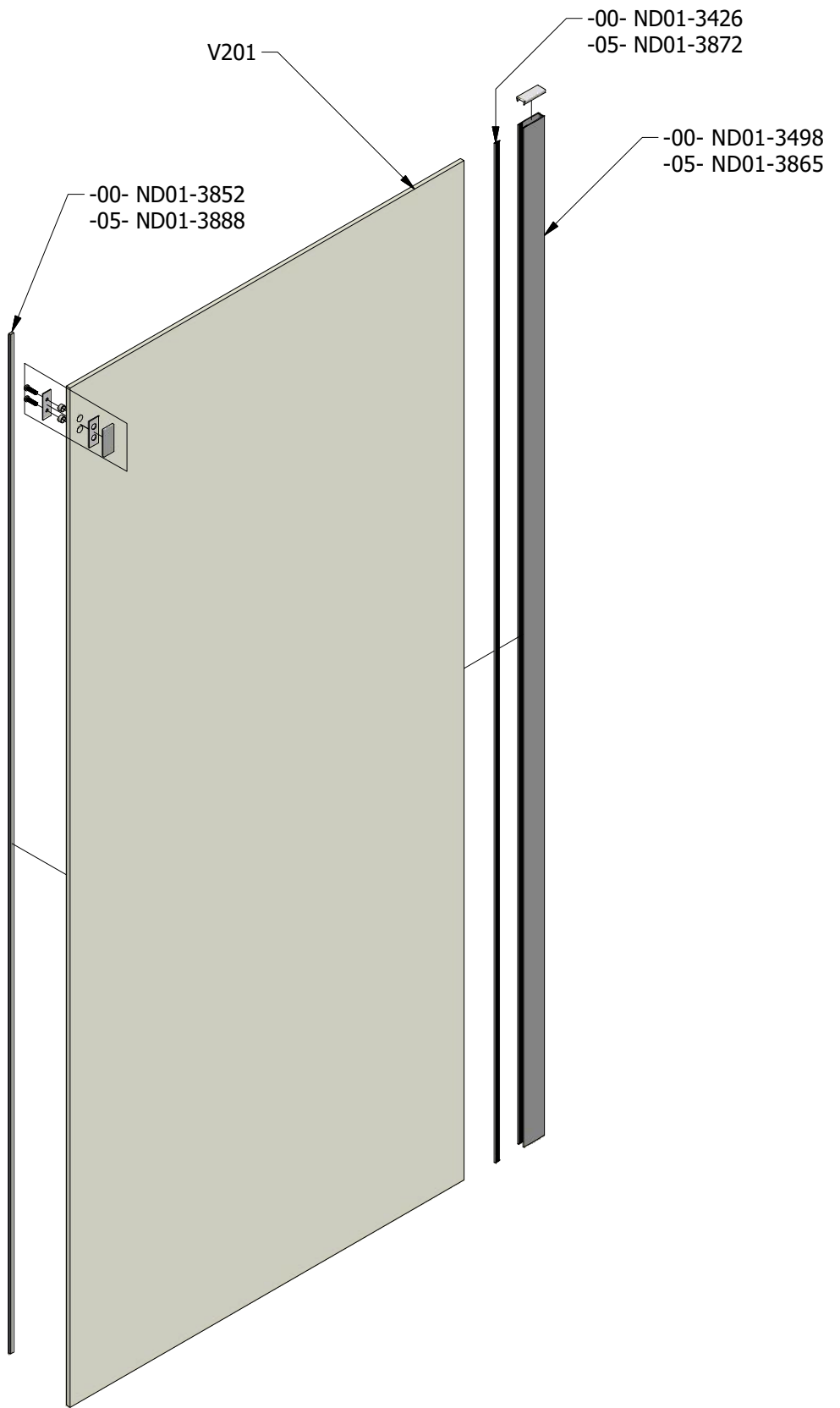


38



33





V201	800	brillant/transparent	ND03-0827-00-02
	900		ND03-0828-00-02